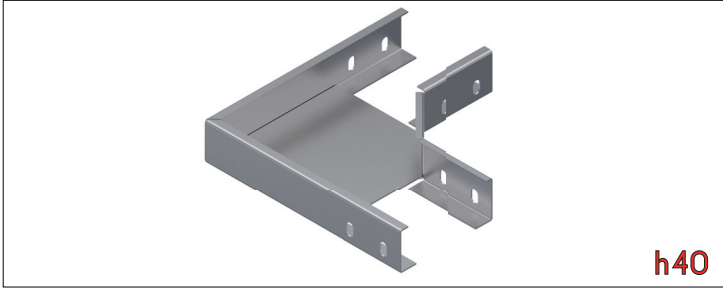


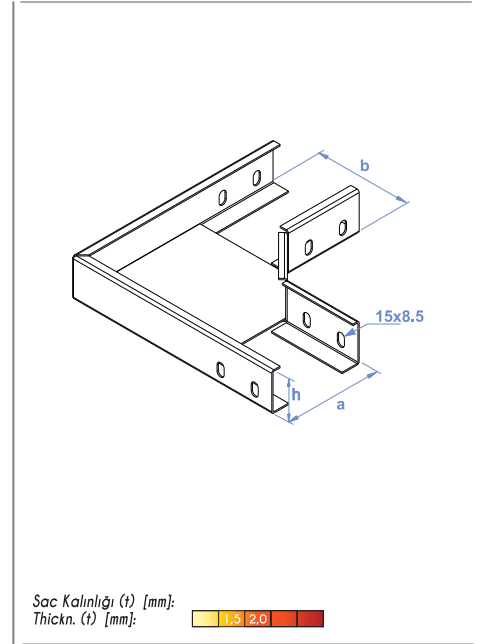
90° Dönüş Elemanı / Horizontal Bends 90°



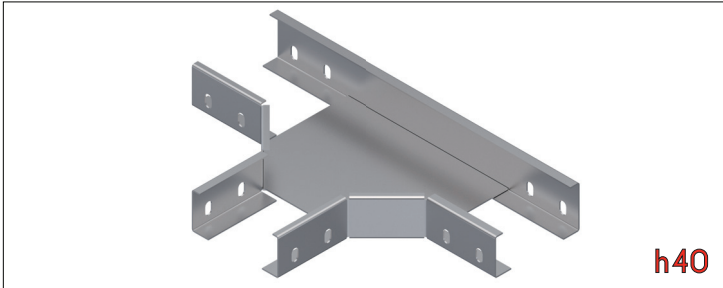
h40

Ürün Kodu Product Code	a mm	h mm	1,5 mm kg/ad kg/pcs
STS A 105-415	55	40	0,678
STS A 110-415	105	40	0,813
STS A 115-415	155	40	1,123
STS A 120-415	205	40	1,399
STS A 125-415	255	40	2,424
STS A 130-415	305	40	2,198

Ürün Kodu Product Code	a mm	h mm	2,0 mm kg/ad kg/pcs
STS A 140-420	405	40	3,558
STS A 150-420	505	40	4,834
STS A 160-420	605	40	6,321



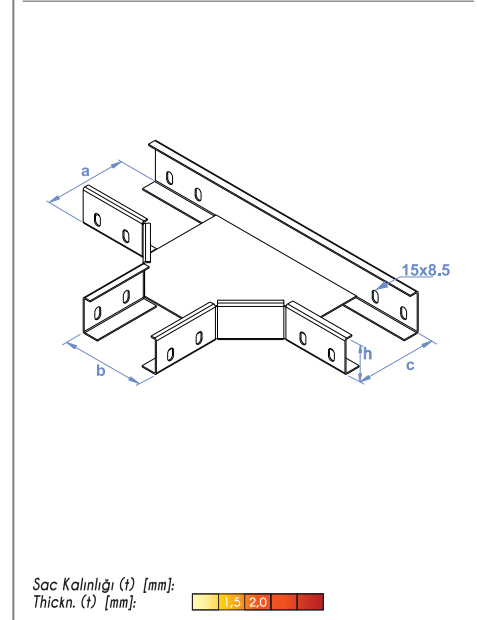
T Dönüş Elemanı / Horizontal Tees



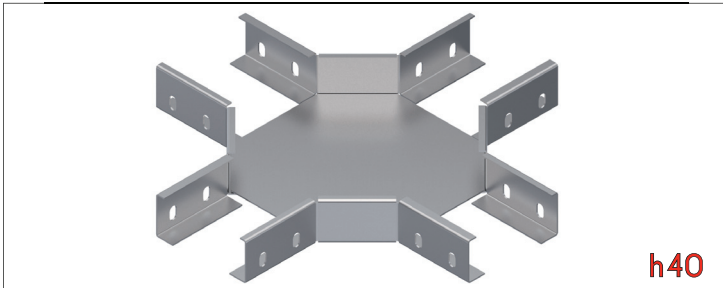
h40

Ürün Kodu Product Code	a mm	h mm	1,5 mm kg/ad kg/pcs
STS A 205-415	55	40	0,784
STS A 210-415	105	40	0,980
STS A 215-415	165	40	1,284
STS A 220-415	205	40	1,528
STS A 225-415	255	40	1,957
STS A 230-415	305	40	2,700

Ürün Kodu Product Code	a mm	h mm	2,0 mm kg/ad kg/pcs
STS A 240-420	405	40	4,329
STS A 250-420	505	40	6,122
STS A 260-420	605	40	7,984



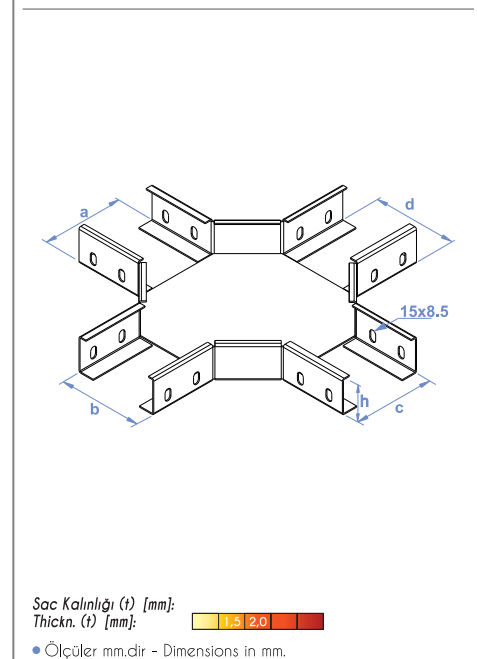
Dörtlü Bağlantı Elemanları / Quadruple Horizontal Crossings



h40

Ürün Kodu Product Code	a mm	h mm	1,5 mm kg/ad kg/pcs
STS A 305-415	55	40	1,064
STS A 310-415	105	40	1,262
STS A 315-415	155	40	1,573
STS A 320-415	205	40	1,826
STS A 325-415	255	40	2,271
STS A 330-415	305	40	2,613

Ürün Kodu Product Code	a mm	h mm	2,0 mm kg/ad kg/pcs
STS A 340-420	405	40	4,833
STS A 350-420	505	40	6,479
STS A 360-420	605	40	8,424



• Ağırlıklar ± 5% farklılık gösterebilir - Material weights may vary by ± 5%